

NTSC WV-NF284 (24 V AC, 12 V DC or PoE) PAL WV-NF284 (24 V AC, 12 V DC or PoE)



Color Fixed Dome Network Camera with MPEG-4 and JPEG dual streaming, PoE, and 3.6x Variable-Focal Lens

Key Features

- MPEG-4/JPEG digital signal output at VGA image size with up to 30 ips.
- MPEG-4 and JPEG dual stream output for simultaneous live monitoring and high resolution recording.
- Progressive output provides clear images, even when the subject is moving.
- High sensitivity: 1.5 lux at F1.3 (Wide).
- Up to 16x automatic electronic sensitivity enhancement.
- Electronic shutter for anti flicker.
- 2.8 ~ 10 mm, 3.6x varifocal lens built-in
- Video Motion Detector with 4 programmable detection areas and 3 sensitivity levels.
- Monitor output for easier installation.
- Up to 3x digital zoom controlled by browser.
- Camera title display: Up to 20 alphanumeric characters on browser.
- SD Memory card slot for alarm recording and backup upon network failure. Recorded data can be downloaded by using FTP command.
- Alarm sources including Terminal input, VMD and Panasonic alarm command can trigger actions including SD memory recording/FTP image transfer, E-mail notification, Alarm indication, Terminal output and Panasonic protocol output.
- Built-in microphone for audio (one-way).
- Built-in network interface (10Base-T / 100Base-TX).
- Power over Ethernet (PoE) IEEE 802.3af.
- Multiscreen: Images from 8 cameras can be displayed in two separate Quad screens (JPEG only). 20 characters camera title is available for each camera.
- FTP client function enables periodic image data transfer or transfer upon alarm.
- Alarm e-mail notification
- Max bit rate/client for MPEG-4 (64 / 128 / 256 / 512 / 1,024 / 1,536 / 2,048 / 3,072 / 4,096 kbps) combined with Total bit rate control (64 / 128 / 256 / 512 / 1,024 / 2,048 / 4,096 kbps / Unlimited) allowing flexible network management.
- Supported Protocol: TCP/IP, UDP/IP, HTTP, FTP, SMTP, DHCP, DNS, DDNS, NTP, RTP and SNMP.
- Multi-language GUI and setup menu: English, French, Italian, Spanish, German, Russian (PAL), English, French (NTSC), (Installation required except for English).

Standard Accessories

• CD-ROM*	1 pc.	• Dome cover fixing screw (tapping screw, nominal diameter: ϕ 2.6 mm)	2 pcs. (incl. a spare screw)
• Installation Guide (this book)	1 pc.	• Monitor output (3.5 mm mini jack) - BNC conversion cable	1 pc.
The followings are for the installation.			
• Power cord plug	1 pc.	• Cable tie	2 pcs. (incl. a spare tie)
• External I/O terminals plug	1 pc.	* Panasonic IP setting software, the viewer software and the operating instructions (PDF) are included on the CD-ROM.	
• Code Label	1 pc.		
• Camera mount bracket	1 pc.		
• Camera fixing screw (M3 x 6)	2 pcs. (incl. a spare screw)		

Optional Accessories

Dome Cover (Smoke type)
WV-CF4S



Ceiling Mount Bracket
WV-Q167

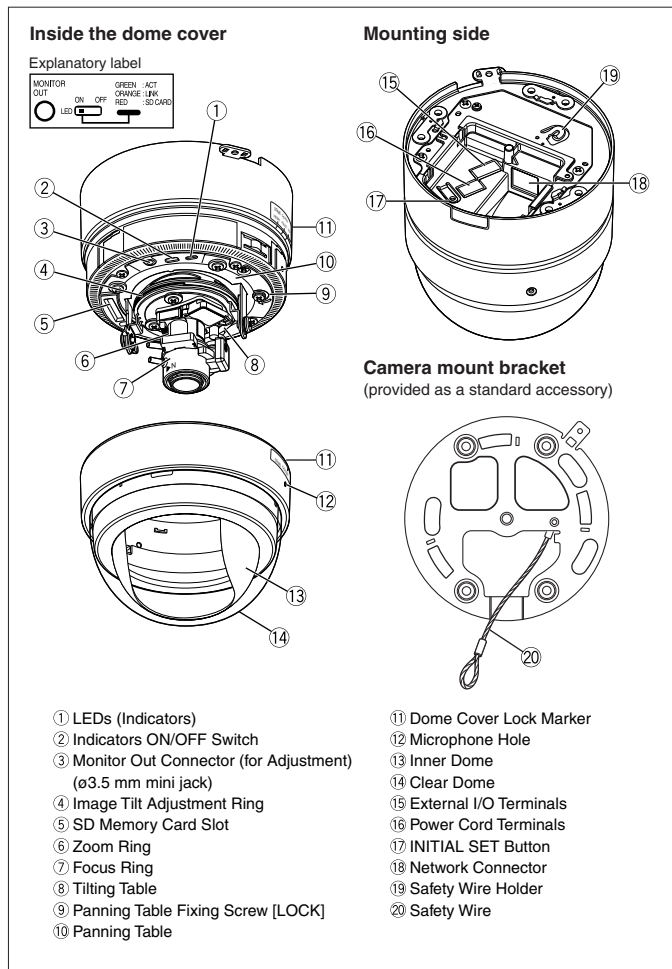


Specifications

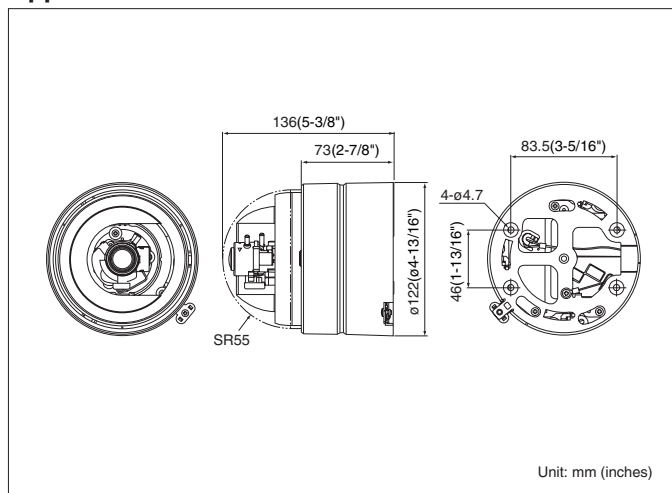
TV System	NTSC	PAL
Camera	1/4-type progressive scan CCD	
Effective Pixels	659 (H) x 494 (V)	
Scanning Mode	Progressive scan	
Scanning Area	3.59 (H) x 2.70 (V) mm	
Minimum Illumination	Color (30IRE): 1.5 lux (Sens up: OFF), 0.09 lux (Sens up: 16x) at F1.3 (Wide)	
White Balance	AUTO / HOLD	
Light Control	ALC with ELC (1/30 - 1/100)	
BLC	ON / OFF	
AGC	Always ON	
Electronic Shutter	For flicker less mode: 1/100 - 3/100 (Auto select)	
Electronic Sensitivity UP	OFF / AUTO (2x, 4x, 8x, 16x)	
Digital Zoom	1x, 1.5x, 2x, 2.5x, 3x, Controlled by browser GUI	
Video Motion Detector	4 areas, Sensitivity: High / Middle / Low	
Back Focus Adjustment	Manual	
Lens Mount	Original	
Synchronization	Internal	
Lens	2.8 - 10 mm, 3.6x varifocal	
Angular Field of View	H : 20.8° (TELE) ~ 73.5° (WIDE) V : 15.6° (TELE) ~ 54.4° (WIDE)	
Maximum Aperture Ratio	1 : 1.3 (WIDE) ~ 1 : 3.1 (TELE)	
Focusing Range	1.2 m (3.9 ft.) ~ ∞	
Pan and Tilt	180° (clockwise), 140° (counterclockwise)	
Tilting Range	±75°, Image tilt adjustment range: ±100°	
Browser GUI	Brightness, AUX ON/OFF	
Display Mode	Spot, Quad: Image from 8 cameras can be displayed in 2 different Quad screens (JPEG only). 20 characters camera title available.	
Digital Zoom	1x, 1.5x, 2x, 2.5x, 3x, Zoom by camera	
Camera Title	Up to 20 alphanumeric characters	
Clock Display	Time: 12H / 24H, Date: 5 formats on the browser, Summer time (Manual)	
Alarm Control	Reset	
One Shot Capture	A still picture is displayed on a newly opened window.	
Audio	ON / OFF	
GUI / Setup Menu Language	English, French (Installation required for French)	English, French, Italian, Spanish, German, Russian (Installation required except for English)
System Log	Up to 100 (Internal), Up to 4,000 (SD memory) error logs	
Supported OS	Microsoft® Windows® 2000 Professional SP4, Microsoft® Windows® XP Professional/Home SP2 The language of the OS must be same as selected GUI language.	
Supported Browser	Internet Explorer 6.0 SP2 (Windows® XP Home / Professional SP2) Internet Explorer 6.0 SP1 (Only Windows® 2000 Professional SP4)	
Network	Network IF 10Base-T / 100Base-TX, RJ45 connector IEEEE 802.3af. PoE compatible	
Image Resolution	VGA (640 x 480) / QVGA (320 x 240)	
Image Compression	MPEG-4: Image quality: LOW / NORMAL / FINE, Transmission type: UNICAST / MULTICAST JPEG: Image quality: 10 steps, Transmission type: PULL / PUSH MPEG-4 and JPEG dual streaming, JPEG multi-resolution supported.	
Image Refresh Rate	0.1 / 0.2 / 0.33 / 0.5 / 1 / 2 / 3 / 5 / 6 / 10 / 15 / 30 ips (Max rate will be 5 ips-VGA, 10 ips-QVGA when transmitting JPEG and MPEG-4 simultaneously)	
Audio Compression	G.726 (ADPCM) 32 kbps / 16 kbps	
Total Bit Rate	64 / 128 / 256 / 512 / 1,024 / 2,048 / 4,096 kbps / unlimited	
Max Bit Rate / Client (MPEG-4)	64 / 128 / 256 / 512 / 1,024 / 1,536 / 2,048 / 3,072 / 4,096 kbps	
Supported Protocol	TCP/IP, UDP/IP, HTTP, RTP, FTP, SMTP, DHCP, DNS, DDNS, NAT, SNMP	
FTP Client	Alarm image transfer, FTP Periodic transfer	
No. of Simultaneous Users	8 (Depends on network conditions)	
SD Memory Card (Option)	Alarm REC / Backup upon network failure. Compatible SD card: Panasonic 64 MB, 128 MB, 256 MB, 512 MB, 1 GB, 2 GB model	
Alarm E-mail	Up to 4 e-mail addresses	
User Registration	Up to 16 users	
User/Host Level	3 Levels: Administrator, Camera control, Live only	
Security Measures	User authentication (ID 32 digit, PW 32 digit), Host authentication (IP address)	
Alarm	Alarm Source VMD, Command alarm, Terminal input	
Alarm Actions	SD memory recording/FTP image transfer, e-mail notification, Terminal output, Indication on browser, Panasonic protocol output	
Input / Output	Monitor Output 1.0 V [p-p] / 75 Ω / NTSC	1.0 V [p-p] / 75 Ω, PAL composite signal / ø3.5 mm mini jack
External I/O Terminals	1x Alarm input / 1x Alarm output, 1x AUX output	
General	Safety / EMC Standard UL (6500 Edition2), FCC (Part15 ClassA), CE (EN55022, EN55024, ClassB), C-UL (E60065), DOC (ICES003 ClassA) GOST (R 51558).	
Power Source / Consumption	24 V AC 50/60 Hz: 4.0 W, 12 V DC: 350 mA, PoE (IEEE802.3af): 4.0 W	
Ambient Operating Temperature	-10 °C ~ +50 °C (14 °F ~ 122 °F)	
Ambient Operating Humidity	90 % or less (without condensation)	
Dimensions	ø122 mm x 136 mm (ø4-13/16" x 5-3/8")	
Weight	Approx. 640 g (1.41 lbs.)	

*Flicker may appear when the object is darker than specified level.

Part Names and Functions



Appearance



Trademarks and registered trademarks

– Microsoft, and Windows are registered trademarks of Microsoft Corporation in the U.S. and other countries.
– SD logo is a trademark.

Important

– Safety Precaution: carefully read the operating instructions and installation manual before using this product.
– Panasonic can not be responsible for network performance and/or other manufacturer products that reside on the network.

- All TV pictures/menu are simulated.
- Weights and dimensions are approximate.
- Specifications are subject to change without notice.
- These products may be subject to export control regulations.
- Product pictures shown in this catalog are all NTSC models.

DISTRIBUTED BY:

Panasonic

Panasonic is the brandname of Matsushita Electric.

Printed in Japan

(2A-013L)